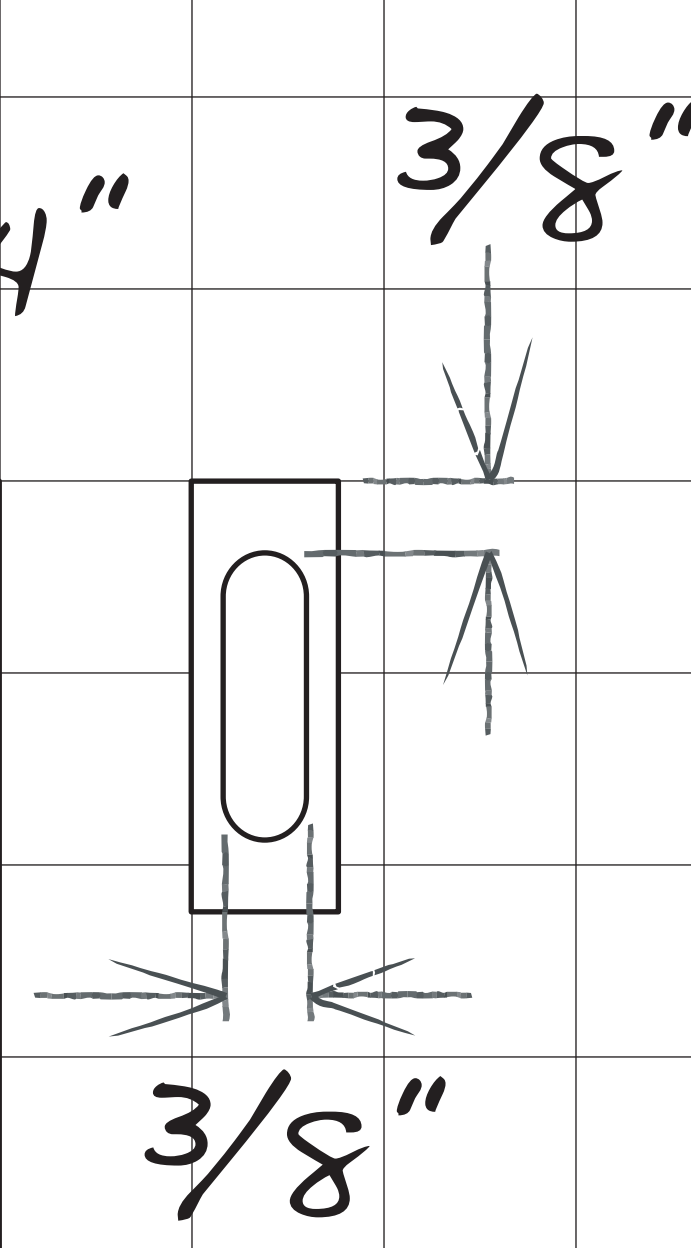
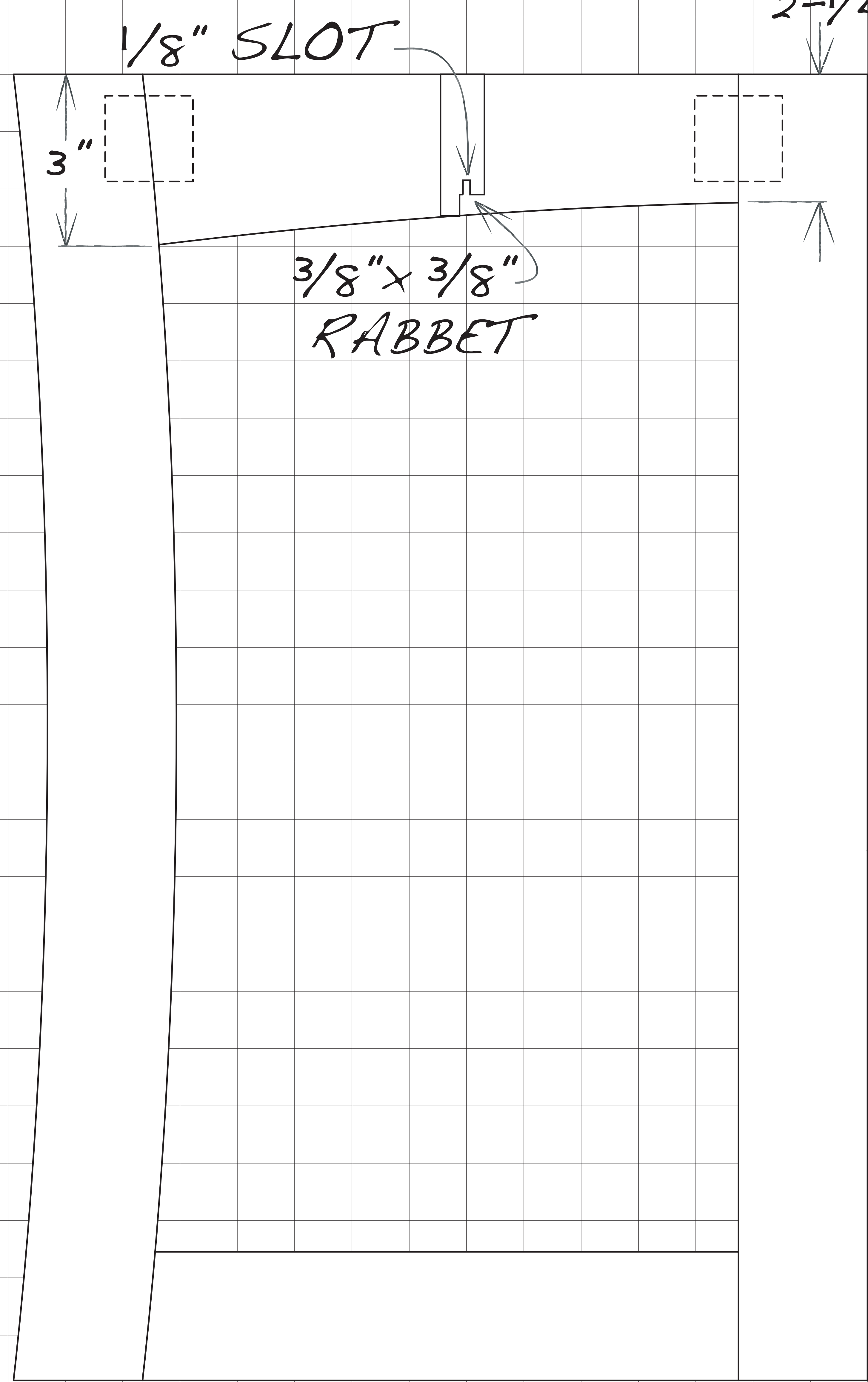
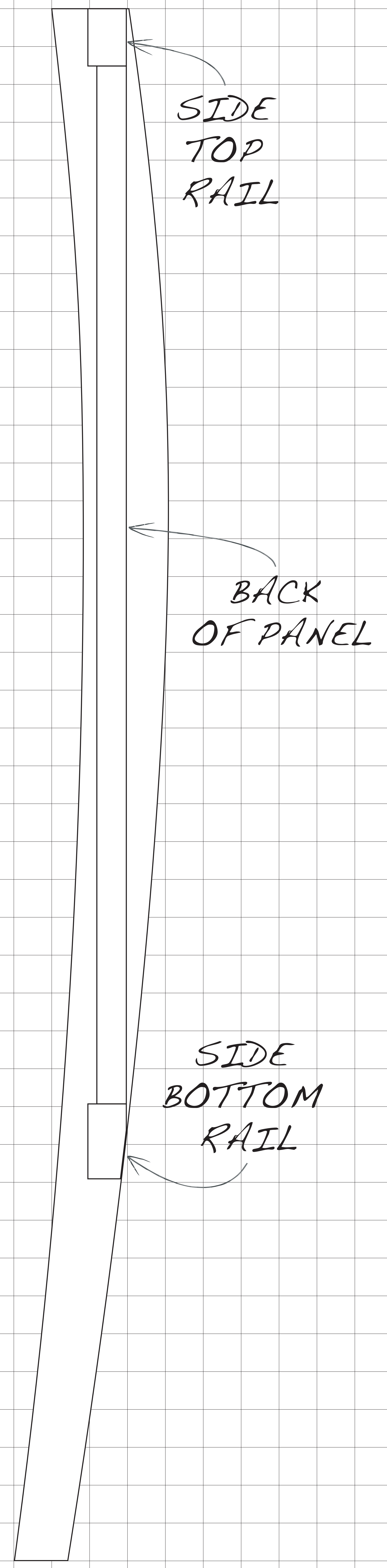


PLAN VIEW OF DOOR

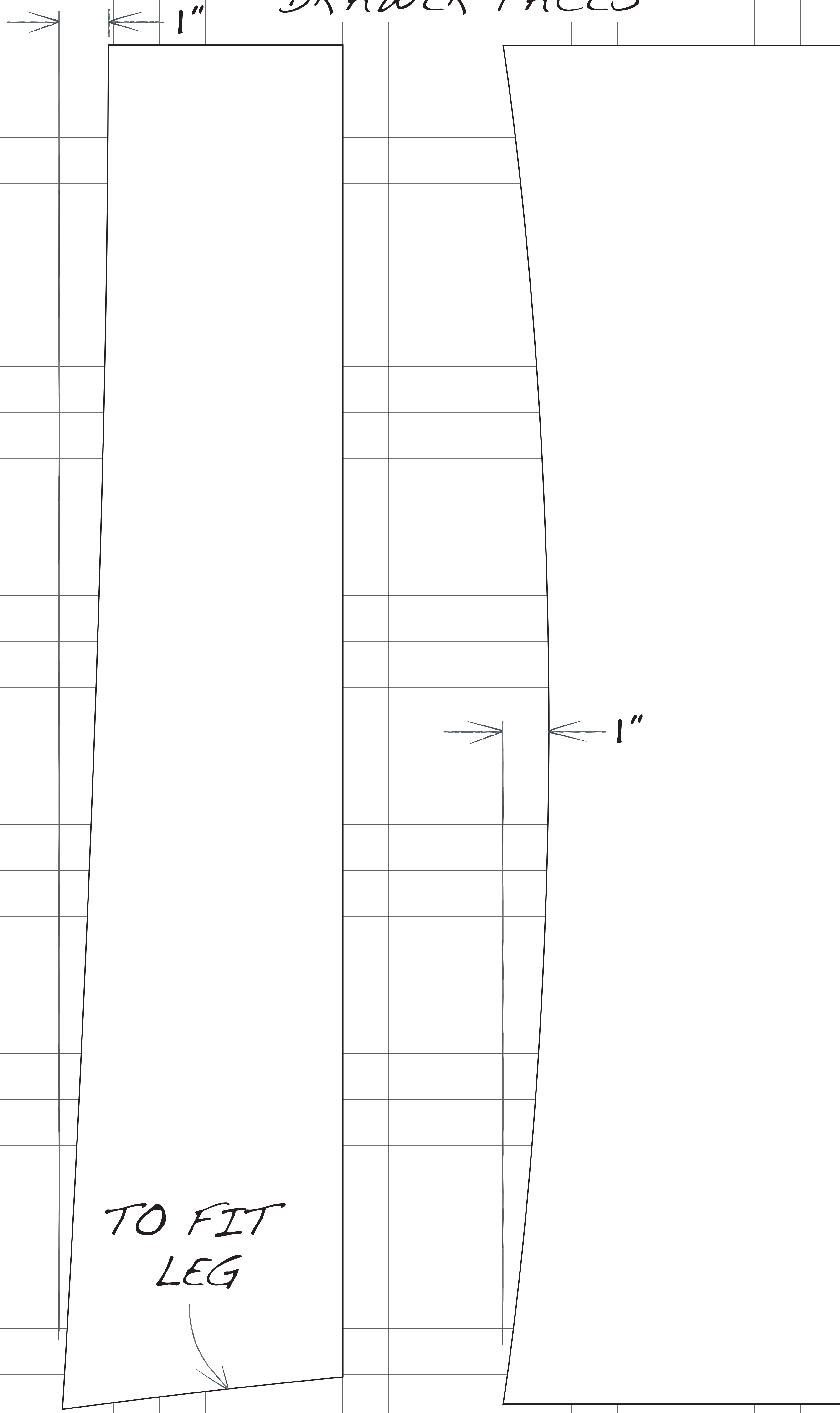


Printing rights for these drawings are granted to you for personal use only. Permission to print is granted to "print shops" (i.e. Kinko's or similar) for the purpose of providing paper copies to the owner of this CD. The cost of printing is the responsibility of the owner of this CD. Electronic or paper copies of these measured drawings may not be distributed to any other party. Direct printing or copyright questions to: AW Editor, American Woodworker, 1285 Corporate Center Drive, suite 180, Eagan, MN 55121. Email: aweditor@americanwoodworker.com

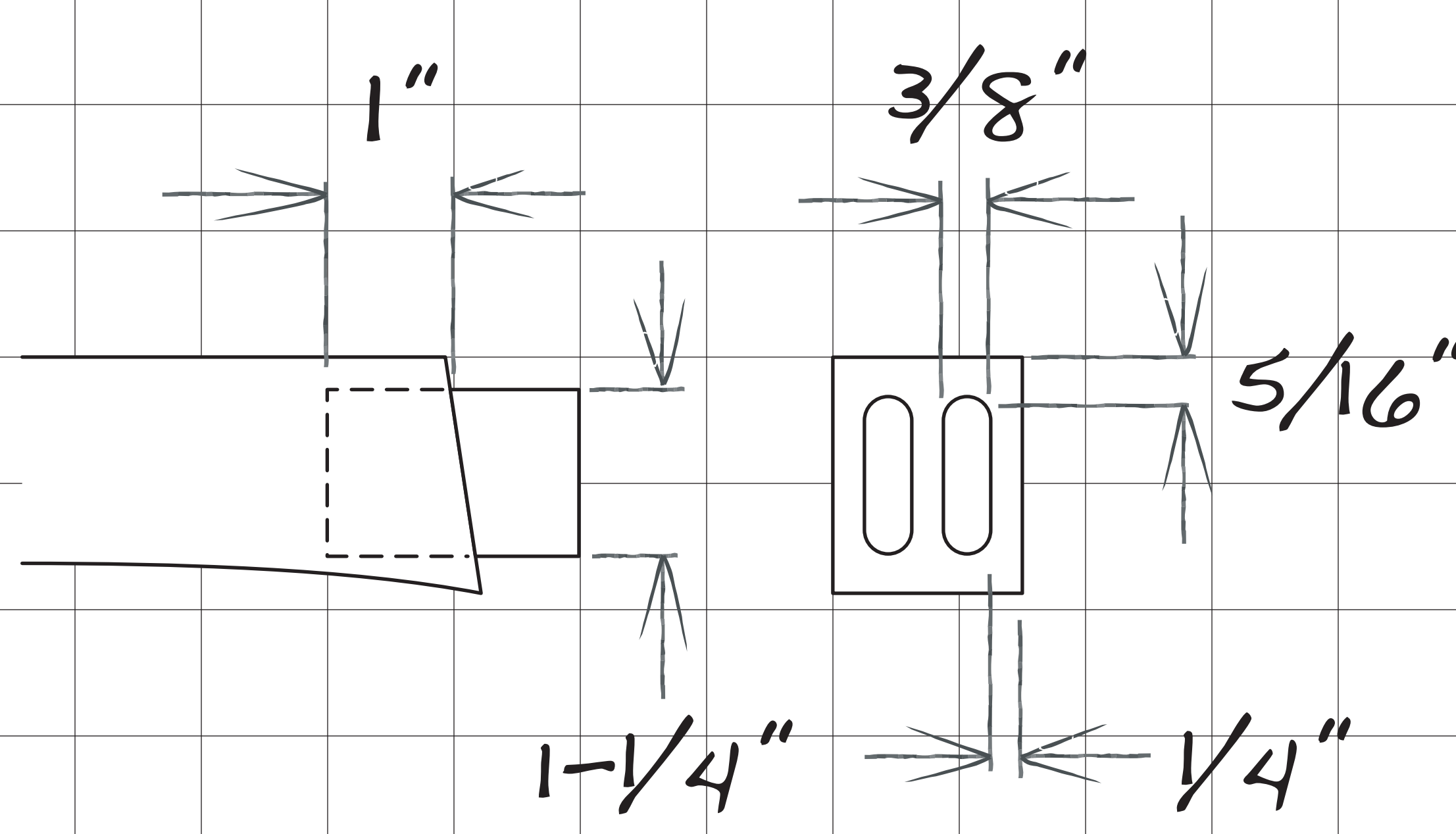
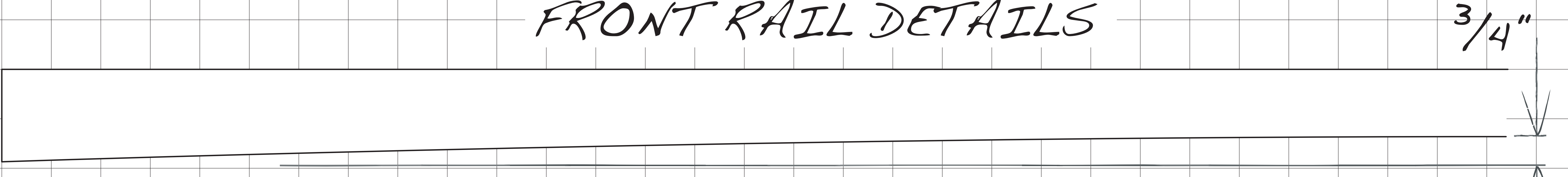
LEG DETAILS



DRAWER FACES



FRONT RAIL DETAILS



TOP DETAILS

